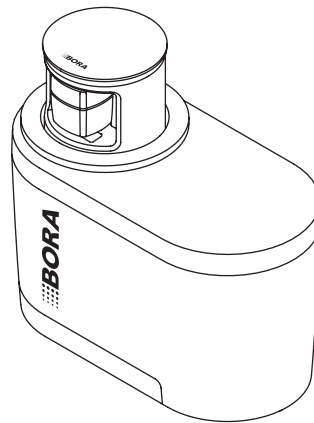
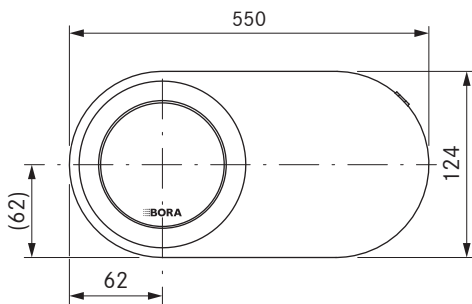
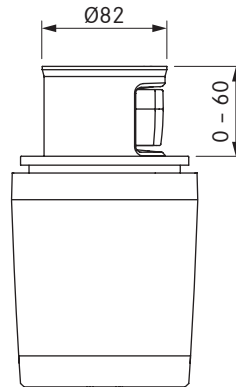
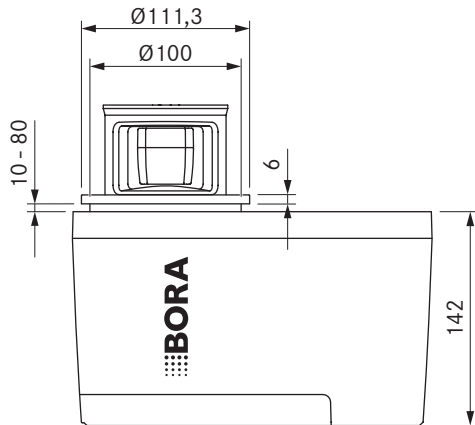


QVac Vacuum set Stainless Steel

QVac Vacuum set All Black



Technical data

| | |
|--------------------------------------|--------------------|
| Supply voltage | 100 - 240 V |
| Frequency | 50 - 60 Hz |
| Maximum power consumption | 24 W |
| Power supply cable length | 2 m |
| Suction power | ≈ 10 l/min |
| Maximum vacuum pressure | -90 kPa |
| Dimensions (width x depth x height) | 239 x 124 x 142 mm |
| Weight (incl. accessories/packaging) | 3,48 kg |
| Surface material | stainless steel |
| Vacuum hose extension length | 400 mm |

Product description

- Unique installation concept
- Ultra-rapid marinating
- Keep liquids fresh for longer

Scope of delivery

- 1x QVac Built-in vacuum unit
- 1x QVac Vacuum box 1l
- 1x QVac Vacuum box 2l
- 1x QVac Marinate ring
- 2x QVac Vacuum closure
- 5x QVac Vacuum bags 0,6l
- 5x QVac Vacuum bags 1,5l
- 5x QVac Vacuum bags 2,1l
- 15x Freezer sticker for vacuum bag
- 1x Power supply cable EU (2m)
- Operating and installation instructions

Accessories

- QVac Vacuum boxes 2x 1l QVACVBO1
- QVac Vacuum boxes 2x 2l QVACVBO2
- QVac Vacuum closure 2 pcs. QVACVV
- QVac Marinate ring QVACMR
- QVac Vacuum bags 15x 0,6l QVACVBE1
- QVac Vacuum bags 15x 1,5l QVACVBE2
- QVac Vacuum bags 15x 2,1l QVACVBE3
- QVac Vacuum bags Set (5x 0,6l, 5x 1,5l, 5x 2,1l) QVACVBES
- Power supply cable UK (2m)

Product- and planning instructions

- For flush mounting, the worktop must be at least 10 mm thick.
- For thinner worktops, a substructure is necessary.
- The housing must remain accessible for maintenance work.
- Standard installation is with the connections facing forward.